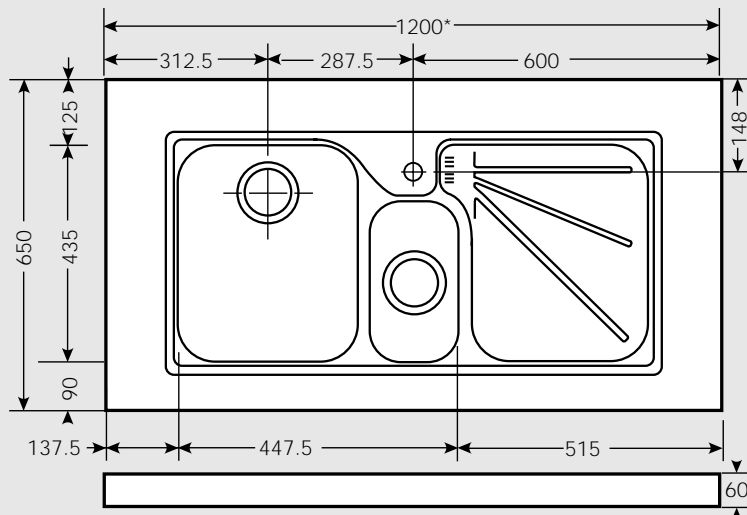
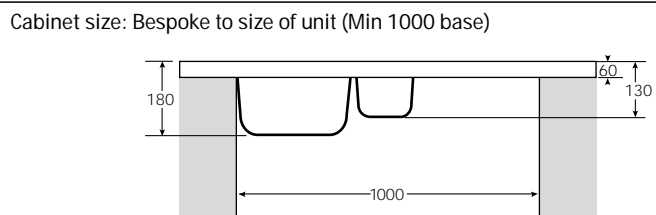


# Range Sink ARX 754 Specifications

- High design concept
- 90mm Waste with Basket Strainer Waste. Capable of adaptation to take Waste Disposal Unit
- 4 colours of bespoke accessories available
- Convenient horizontal overflow
- Large diagonal bowl dimension. Extra large main and a half bowl located at front rim of sink profile
- Integrated into large Stainless Steel worktop area. Provides totally hygienic sink environment
- Water lip spillage on surrounding area
- Also available 1500mm\*

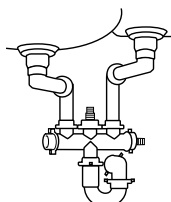


Material:	304 Austenitic 18/10 Stainless Steel
Application:	Specialised stand alone unit
Bowl size:	350 x 435 x 180 } 170 x 320 x 130 } Bowls welded to frame
Drainer Format:	Left or right hand drainer available
Cut-out size:	Not applicable
Colour:	Stainless Steel
Seal:	Not applicable
Insulation:	Grey Dynaphon for heat and sound
Heat Resistance:	Up to 300°C
Earthing Point:	Utilise frame



Fixing Clips: Not applicable

Suggested Plumbing Kit:



Waste:	1 x Lira 90mm Basket Strainer Waste with overflow 1 x Lira 90mm Basket Strainer Wastes	Overflow:	

Accessories available:

Chopping Board Iroko Large	Drainer Basket Available in White, Almond, Brown or Black	Drainer Basket Stainless Steel	
Drainer Tray Available in White, Almond, Brown or Black	Drainer Tray Stainless Steel	Strainer Bowl Available in White, Almond, Brown or Black	Strainer Bowl Stainless Steel

Taps: Any Franke tap can be utilised with this model\*.

\*Ceramic disc taps in certain installations or where there is a low head of water (below 3 metres) may not provide adequate flow rates. You are advised to check with your supplier.

Guarantee: Franke sinks are guaranteed for 25 years against manufacturing defects.